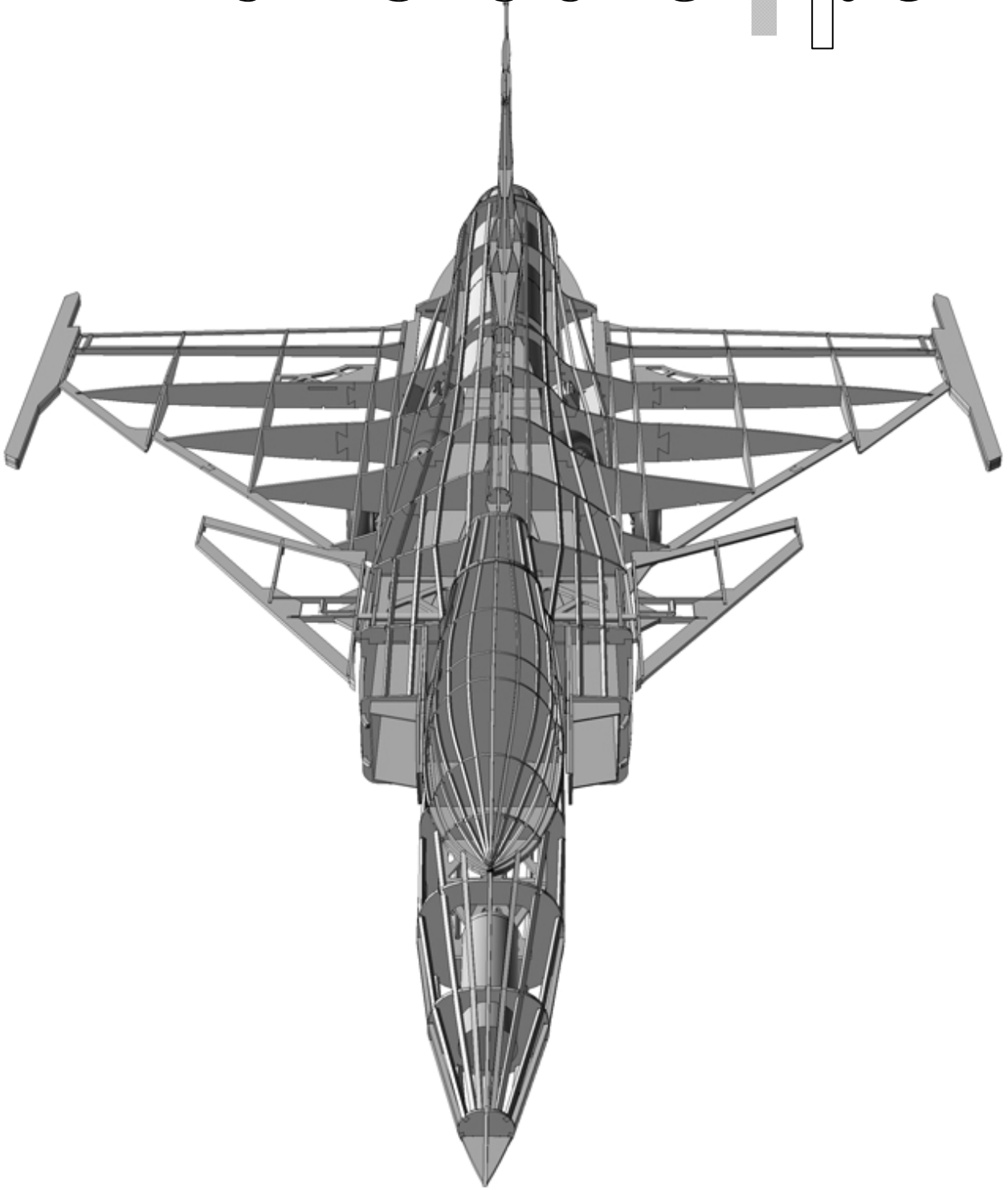


# JAS 39 Gripen



1:10 Scale for 70mm Ducted fan

# Instruction Manual

## Data about the model:

- *Wingspan.....847 mm*
- *Length.....1413 mm*
- *Weight.....xxxx gram*
- *RC-Functions.....Elevons, Rudder, Canard, Motor, Landing Gear*

## Optional equipment needed for full RC function

- ✓ *4-6 ch RC transmitter*
- ✓ *4-5 Digital mini Servo*
- ✓ *70 mm fan (Wemotech Mini or similar)*
- ✓ *4 cell 2500-4500 mAh LiPo Battery*
- ✓ *Retractable Landing gear*

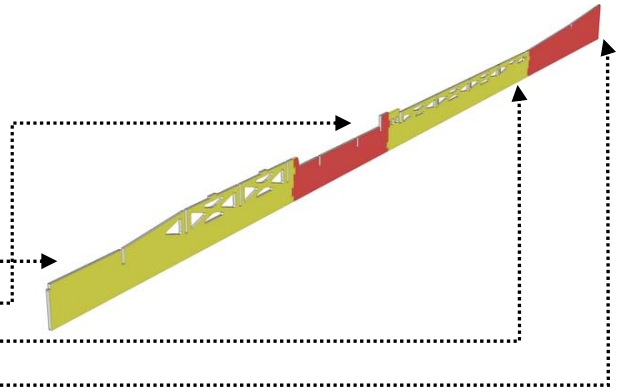
## STEP 1

Glue together the four parts of the building jig, J1, j2, j3, j4

Mount the jig in between two straight wood/aluminium rails or similar. **(Not included)**

Parts Used at this step:

- J1
- J2
- J3
- J4

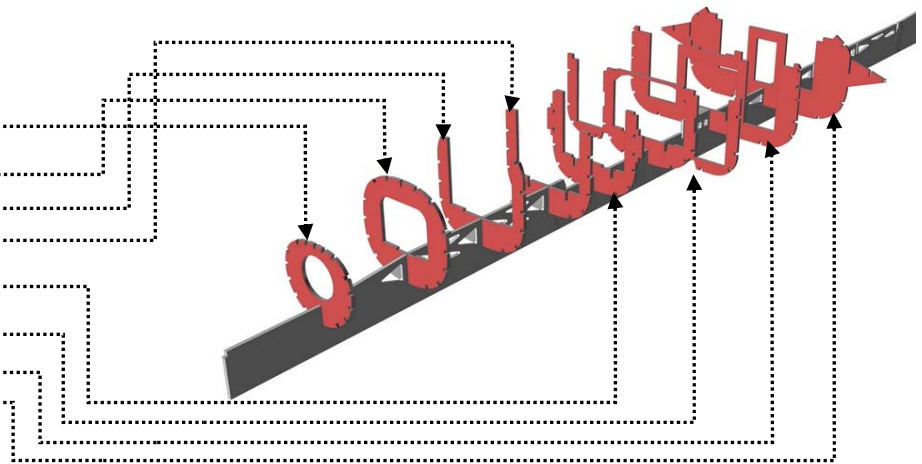


## STEP 2

Mount F2 – F9 in the jig. Do **NOT** glue them at this step.

Parts Used at this step:

- F2
- F3
- F4
- F5
- F6
- F7
- F8
- F9

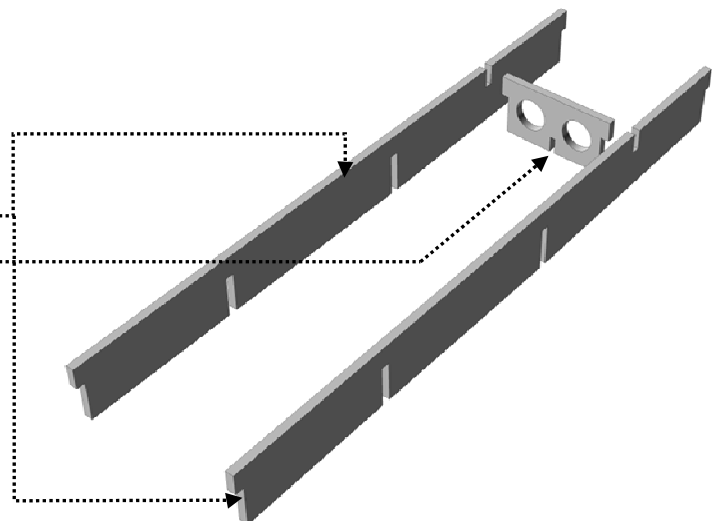


## STEP 3

Glue the three parts F16 (2) & F17 for the front gear bay together

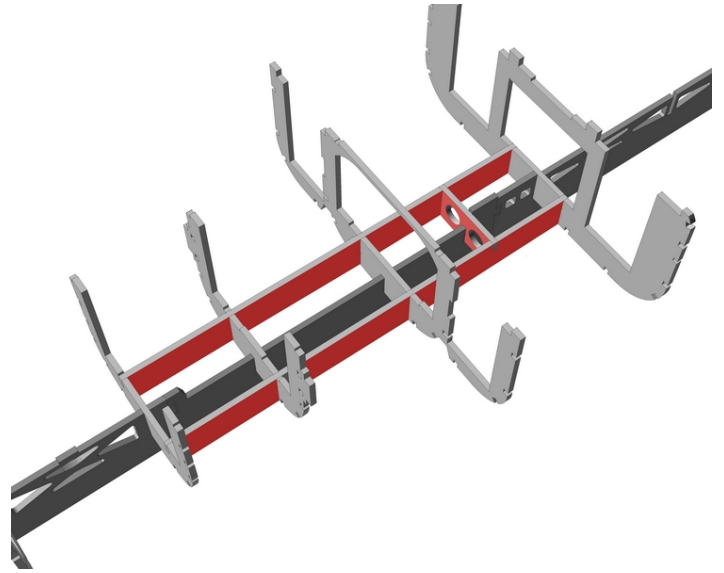
Parts Used at this step:

- F16
- F17



## STEP 4

Glue the completed parts in between F5 and F8

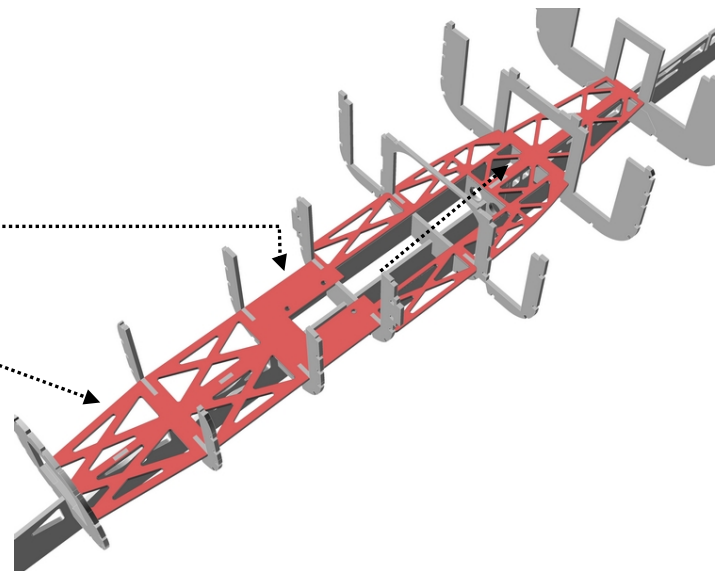


## STEP 5

Glue the two plywood parts F31 & F32 together and mount it inside the fuse.

Parts Used at this step:

- F31
- F32

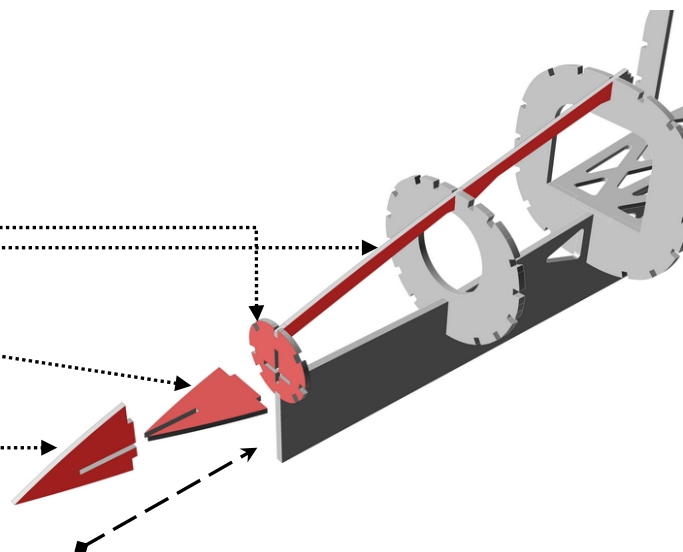


## STEP 6

Glue the nose parts F18 & F19 together. Glue it to F1. Glue F26 to F1, F2 & F3

Parts Used at this step:

- F1
- F18
- F19
- F26



## STEP 7

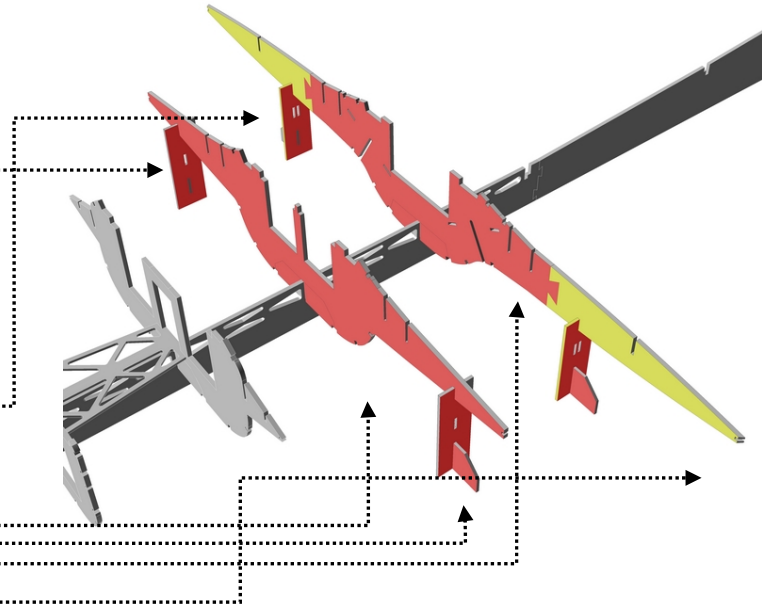
Glue together F11 with 2xF11:2.

Glue J5 & J6 each with one J8. Use The completed parts to secure a level fit of F10 & F11.

*Remark. J5 is marked I, J6 is marked II. The parts J5, J6 & J7 fits in small slots on their respective fuse-part.*

Parts Used at this step:

- J5x2
- J6x2
- J8x4
- F10
- F11
- F11:2



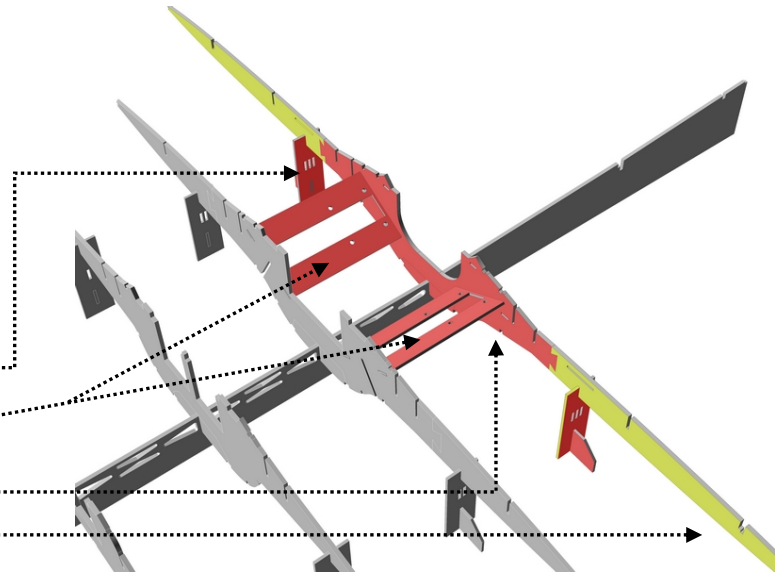
## STEP 8

Glue F12 and 2xF12:2 together.

Glue J7 (marked III) with J8. Make two units. Use the completed part to secure a level fit of F12. Also glue F27 in between F11 & F12. F27 is the base for the rear landing gear.

Parts Used at this step:

- J7x2
- J8x2
- F27x2
- F12
- F12:2x2

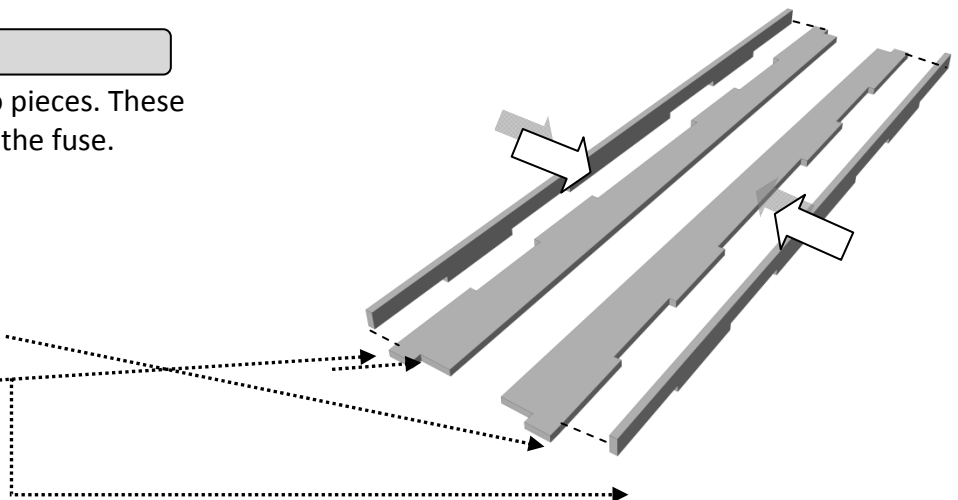


## STEP 9

Glue together F28 and F29. Make two pieces. These parts will act as fan-mountings inside the fuse.

Parts Used at this step:

- F28 x2
- F29 x2

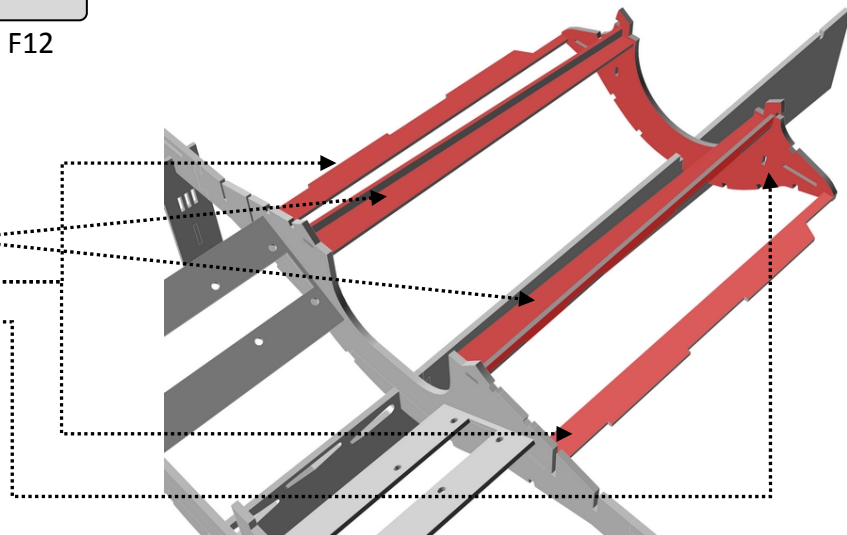


## STEP 10

Glue the completed parts F28/29 in between F12 and F13. Also glue F23 (x2)

Parts Used at this step:

- F28/29x2
- F23
- F13

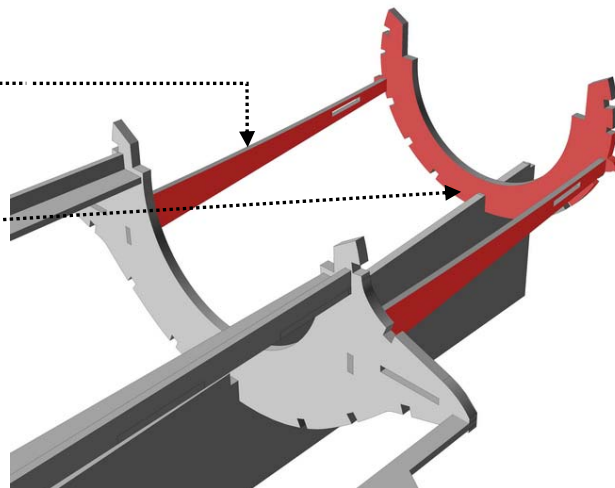


## STEP 11

Glue F22 (x2), to F13 and F14. Check for correct alignment.

Parts Used at this step:

- F22 x2
- F14

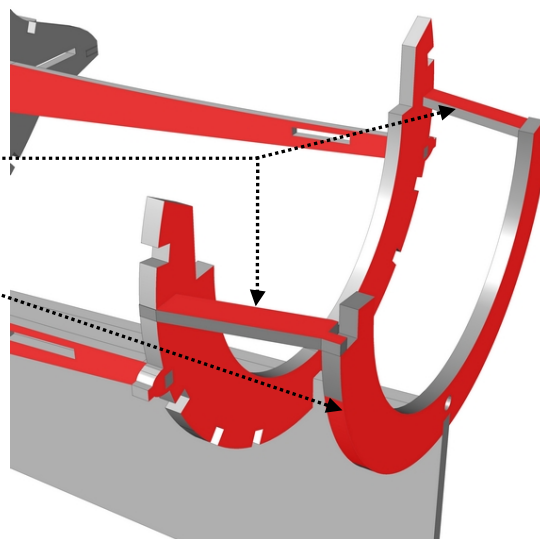


## STEP 12

Glue F15 together with 2x F21 to F14.

Parts Used at this step:

- F21 x2
- F15

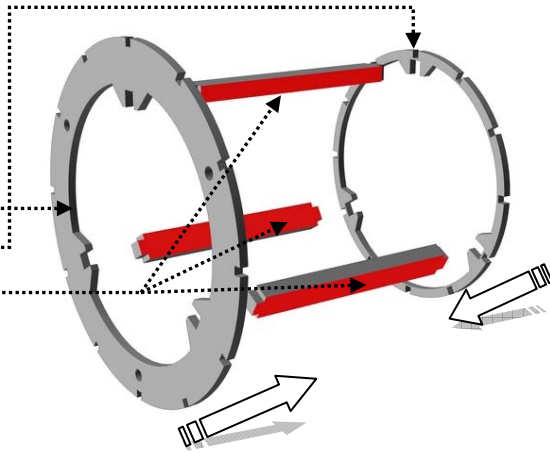


## STEP 15

Glue together F36, F38 (x3) and F37. Make sure you get the alignment correct.

Parts Used at this step:

- F36 .....
- F37 .....
- F38 x3 .....



## STEP 16

Put 2x2mm balsapins between F36 & F37 on all the gaps.

Finish the thrust tube by covering it with 1.5mm balsa.

## STEP 13

Glue together W9 and W10. Make sure it stays flat. Mount the completed part as a leading edge. Do this on both sides.

Glue the trailing edge W11, W7, W12 and W8.

Remark: Check the direction of W7. The centerline between the two rectangular holes should point forward/downward.

## STEP 14

Glue together F15 with two of W13. Glue the completed part to W7. Do this on both sides.

Glue together W1 & W2. Glue the completed part and also W3, W4, W5 and W6 in the fuse. Don't forget W14 between F3 and F4.

*Remark: W5 sits just inside W6!*  
Do this on the left side as well.